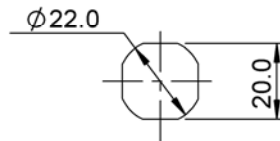
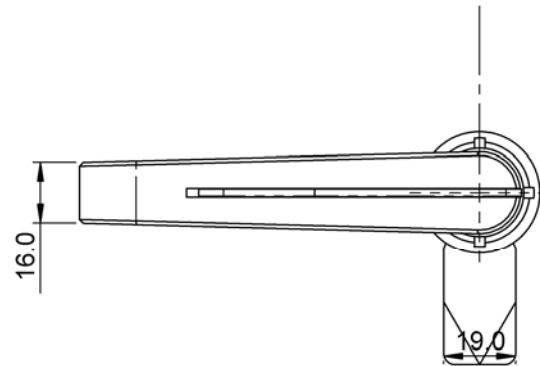
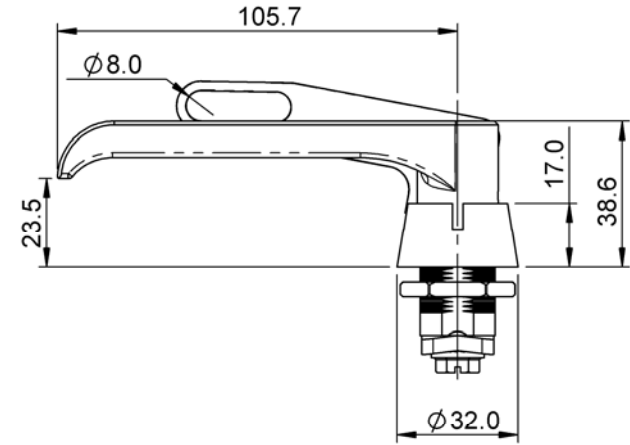
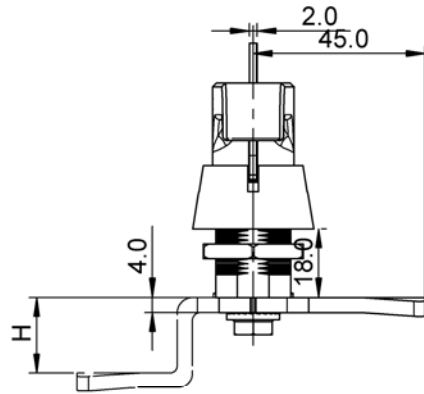


Lock position



Unlock position



Cut Out

All Dimensions Are In mm.



63, INDUSTRIAL ESTATE, HADAPSAR, PUNE : 411013. INDIA.

Title :- **L Handle With Pad Lock**

Drawing No. DAR-0302

MAT: DieCast

Model No. DML3-L-PC-MR

Date: 04-07-04

DML3-L-PC-MR--- Powder coated  
DML3-L-CP-MR--- Chrome plated